

Freedom Agency

106 South Main St., Monona, IA 52159
(563) 539-2015 or visit us at freedomagencymonona.com

Tom Neuhaus, Broker • Jim Moritz, Broker Associate



Steve & Lisa Pavlovec
406 South Main Street
Farmersburg, IA 52047

MFL MarMac Community Schools

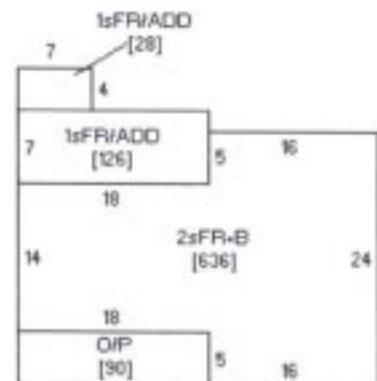
Lot Size: 66' x 138.5'

Home built in 1905

Gross Property Taxes: \$684.01

Net Property Taxes: \$560.00

Price: \$54,000



Freedom Agency

106 South Main St., Monona, IA 52159
(563) 539-2015 or visit us at freedomagencymonona.com

Tom Neuhaus, Broker • Jim Moritz, Broker Associate



Information herein is believed to be accurate but is not warranted. We assume no liability errors.

FREEDOM AGENCY

P. O. BOX 607, 106 S. MAIN STREET, MONONA, IOWA 52159

Sellers: Steve & Lisa Pavlovec **Listing Price** \$54,000.00
Property Address: 406 South Main Street
Farmersburg, IA 52047

Type of Property: Residential

Property Description:		Other Information	
Size of Lot:	66' x 138.5'	School District:	MFL MarMac
Type of Home	2 story frame	Street/Road Surface:	seal coat
House (Ground Sq. Ft.)	790 sq ft	Driveway Surface:	gravel
House(Living Area):	1426 sq ft	Property Taxes-Gross:	\$684.01
Age of Residence:	1905	Property Taxes-Net:	\$560.00
Age/Type of Siding:	Vinyl	Assessed Valuation:	\$43,685
Age/Type of Roof:	Asphalt-12 years		
Windows:	Replacement-1997	Rooms/Approx Size:	
Basement/Walls:	concrete-rock	1st Floor	
Type of Garage:	detached	Kitchen	11.6' x 14'
Size of Garage:	14' x 27'	Dining room	15.6' x 11.6'
Size of Porch	5' x 18'	Living room	11' x 12'
Size of Patio	none	Bathroom-full	6' x 10'
Utilities/Appliances		Addition	7.9' x 11'
Age/Type of Furnace:	Forced air-1994		
Est. Ann. Heating Cost:	12 month avg: \$55.00/month		
Age/Type Water Htr.	older-Electric	2nd Floor	
Age/Type Water Soft.:	Rented-Culligan	Bedroom	9' x 9'
Sump Pumps:	none	Bedroom	15.6' x 11'
Fireplaces:	none	Bedroom	14' x 13'
Wiring/Elec. Service:	100 amp service		
Est. Annual Elec. Cost:	12 month avg: \$98.00		
Water:	City		
Sewer:	City		
Water/Sewer Est. Cost:	\$61/month		
Garbage Disposal:	none		
Air Conditioning:	Central air		

Information herein is believed to be accurate, but is not warranted. We assume no liability for errors.